

# Data Sheet

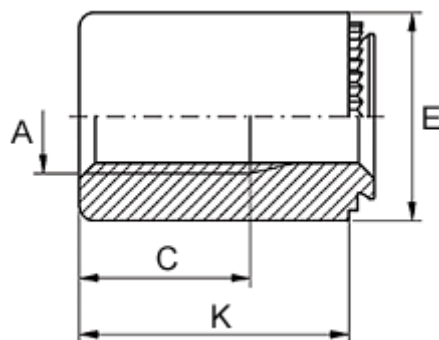


Article number: 12511800340100

Description: KLEE-coil 511 800 340.100  
M4 Hardened, zinc-pl. & chr. yellow

## Measures

---



Female thread A	= M4
Height K	= 11
Min distance to edge	= 4.0
Outer diameter E	= 8
Plate thickness	= from 2.4
Recommended bore diameter +0.05	= 5.00
Thread length	= 8.0